

The installation of NFC Tags

FINGERTEC

The Physical

Design: Anti metal gas tank, weatherproof

Size: 30 mm x 3 mm

Material: ABS

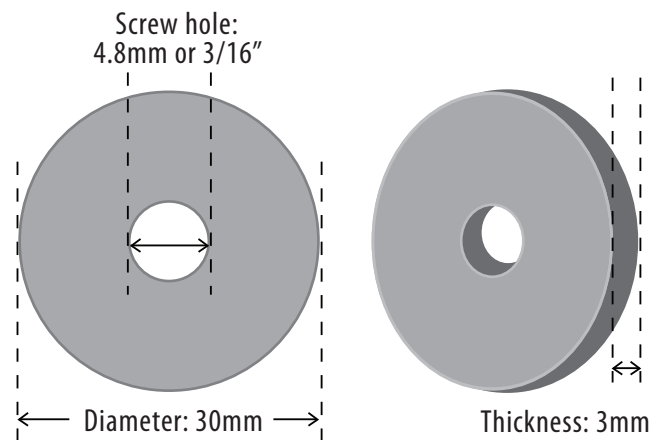
Chip: NXP NTAG 213

IC protocol: ISO 14443A

Frequency: 13.56 MHz

Operating temperature: -25°C to 70°C

Storage temperature: -55°C to 125°C

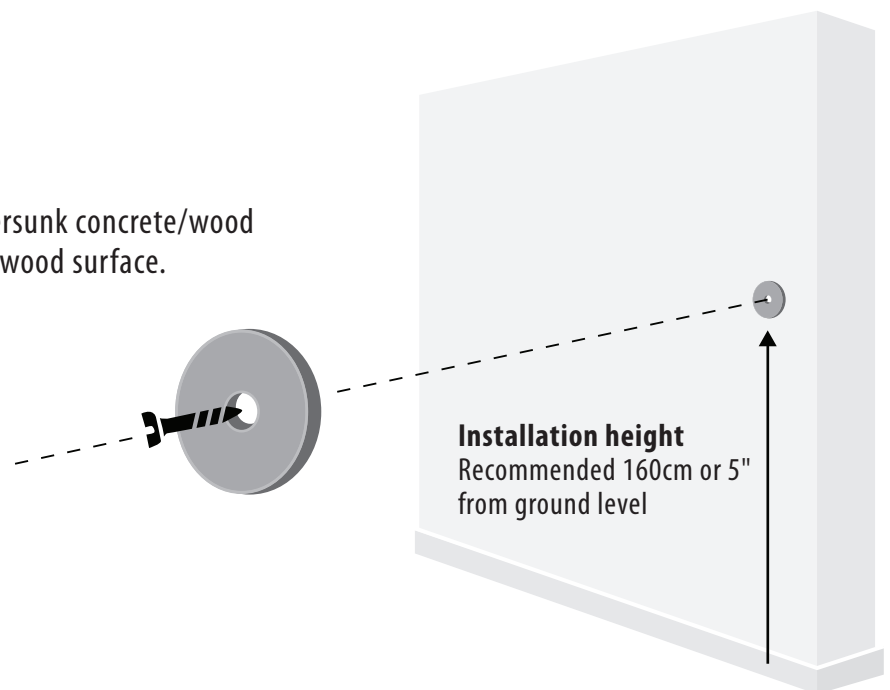


The installation

The tags are designed to be install indoor and outdoor. Mount them on any surface using screws or double-sided tape. Do not break the housing during installation.

Secure installation

Use 4.8mm or 3/16" flat head countersunk concrete/wood screws to secure NFC tags on wall or wood surface.



Installation height
Recommended 160cm or 5"
from ground level

Easy installation

Peel off the double side tape and stick the NFC on any smooth and clean surface.

